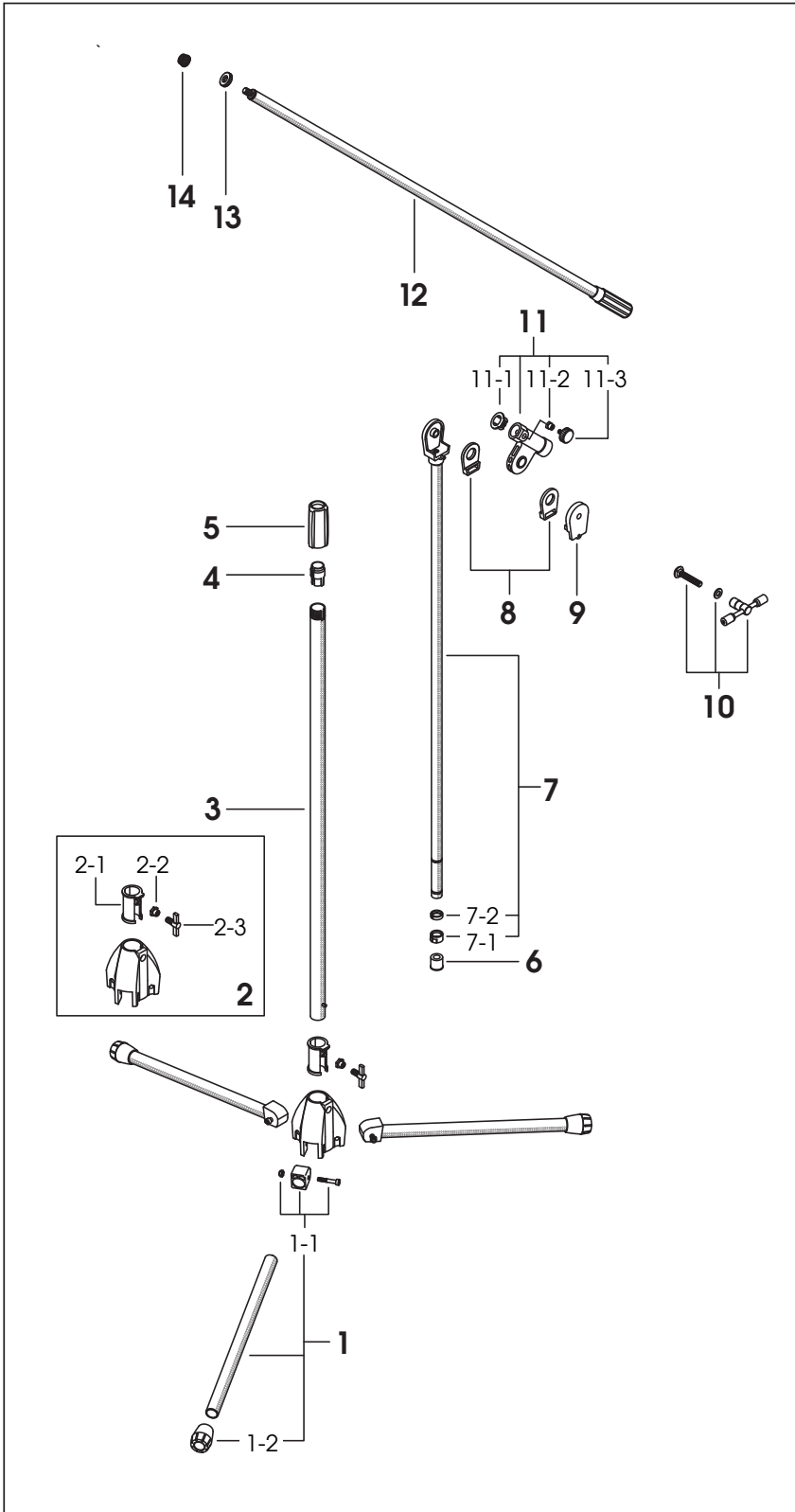


MS205

BOOM MICROPHONE STAND



- | | | |
|-----------|-------------------|---------------------------------|
| 1 | MS205-1 | Leg |
| 1-1 | JBMS2 | Nylon bushing w/bolt & nut |
| 1-2 | 205-RF | Rubber tip |
| 2 | BSMS2 Base | Assembly |
| 2-1 | 205-NB1 | Nylon bushing for base |
| 2-2 | IN8 | Insert nut (M8) |
| 2-3 | 205-TB | T-bolt (M8x14L) |
| 3 | MS205-2 | Lower pipe |
| 4 | 205-PR1 | Plastic collar |
| 5 | 205-GP | Grip only |
| 6 | 205-BB | Rubber spacer |
| 7 | MS205-3 | Upper pipe |
| 7-1 | 205-PRB | Plastic ring |
| 7-2 | 205-PRA | Plastic ring |
| 8 | 205-RW | Rubber washer (2pcs/set) |
| 9 | 205-BP | Boom plate |
| 10 | 205-HDS | Torque nut & bolt |
| 11 | 205-BH | Boom holder set |
| 11-1 | 205-NB2 | Nylon bushing for boom holder |
| 11-2 | IN6 | Insert nut (M6) |
| 11-3 | 205-NN | Round screw |
| 12 | MS205B-1 | Boom pipe only |
| 13 | 205-LN | Lock nut |
| 14 | AD58E | Adapter |